

# AUTONOMOUS ALARM NOTIFICATION



WATER &  
WASTEWATER



OIL & GAS



UTILITIES



SOLAR

## FULL FEATURE CAPABILITY

- ✓ Works with or without existing SCADA communications
- ✓ Access remote and mobile assets on or off the grid
- ✓ Remote access via VPN to control system
- ✓ Notify with onboard DI's and/or as ModbusTCP Master\*
- ✓ Notifications with Text, Email and Voice\*
- ✓ Alarm escalation and acknowledgement
- ✓ Notify when input PLC goes on, off or both
- ✓ Browser based configuration on smart phone, tablet, or PC
- ✓ No Additional Software Required
- ✓ Unlimited phone/address book
- ✓ Shift schedule integration
- ✓ 8 on board Discrete Inputs, 1 Discrete Output
- ✓ 2 Analog Inputs & 1 Serial Port currently in development (exp. Q4 2018)

\*optional





Enclosure: SCADADroid® is designed to be mounted in an enclosure. For Hazardous areas, the SCADADroid® is required to be mounted in a Type 1, Type 4, or Type 4X enclosure depending on end application environment

**DC INPUT RANGE** 12-30 Volt DC

**CERTIFICATION** ETL CLASS 1, DIVISION 2 CERTIFICATION EXPECTED Q4, 2018

**MODEM OPTIONS**

- UMTS/HSPA+ Penta Band**  
GSM Bands—850, 900, 1800, 1900 MHz  
3G/4G Bands—850, 900, 1700, 1900, 2100 MHz
- LTE 4G MODEM**  
3G Bands—B5(850), B2(1900) MHz  
4G Bands—B12/B13(700), B5(850), B4(AWS1700), B2(1900) MHz
- VERIZON SPECIFIC LTE MODEM**  
GSM Bands—850, 1900 MHz  
3G Bands—B5 (850), B2 (1900) MHz  
4G Bands—B17 (700), B5 (850), B4 (1700), B2 (1900) MHz

**\* All Modems Accept Standard SIM Cards (Type 2FF - 15 x 25mm) \***

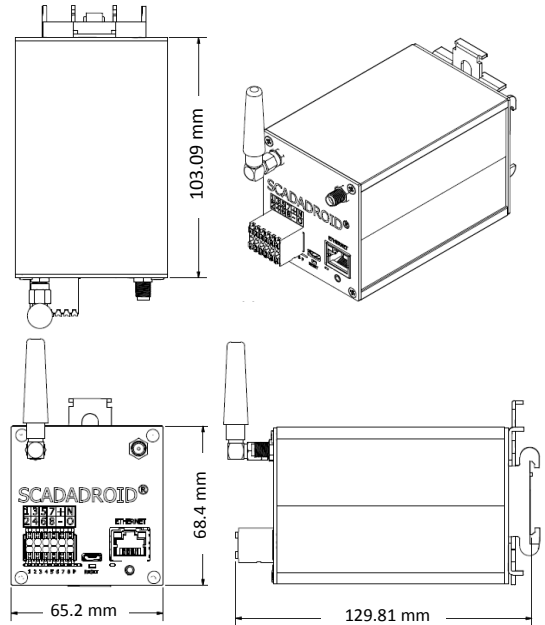
**I/O INTERFACE**

- 1x RJ45 - 10/100M Ethernet
- 8x Digital Inputs - Dry contact or 30 VDC Max (push-pull)
- 1x Relay Output - 1 N/O SPST
- 10x LED Indicators—8 DI Status, 1 Power Status, 1 System Status

**SOFTWARE** **Reonix Web Interface**—Easy to use, Secure  
Utilized for initial SCADADroid® setup, programming of Alarms, Phonebook, Shift Schedules, VPN and much more.

**PROTOCOLS**

- Modbus TCP/IP—Interface with PLC/RTU/HMI
- MQTT—Publisher/Subscriber protocol for M2M, minimizing data usage
- REST—Architecture providing standards between networked systems on web
- OpenVPN—Open source VPN standard, Reonix Hosted VPN Available at monthly rate



**PHYSICAL**

- Housing— Anodized Aluminum
- Dimensions: 4.06"/10.3cm (D) x 2.57"/6.5cm (W) x 2.69"/6.8cm (H)
- Weight— 12.9oz / 366g
- Input Connector: 8 Position Terminal Block Plug, Female Sockets 0.138" (3.50mm)

**MOUNTING**

- Standard 35 mm DIN Rail mounting
- 3 Options:
  - REAR MOUNTED—HORIZONTAL RADIAL
  - SIDE MOUNTED—HORIZONTAL COAXIAL
  - SIDE MOUNTED—VERTICAL RADIAL

**TEMPERATURE** -40°F/-40°C TO 185°F/85°C

**ANTENNA** 1x Standard 50 mm GSM Antenna (Included)  
Connector: SMA Female

### Ordering Requirements

The following code is designed to help in selection of the correct unit. Build up the reference number by inserting the code for each component into the appropriate box

