

AUTONOMOUS ALARM NOTIFICATION



FULL FEATURE CAPABILITY

- ✓ Works with or without existing SCADA communications
- ✓ Access remote and mobile assets on or off the grid
- ✓ Remote access via VPN to control system
- ✓ Notify with onboard DI's and/or as ModbusTCP Master*
- ✓ Notifications with Email
- ✓ Alarm escalation and acknowledgement
- ✓ Notify when input PLC goes on, off or both
- ✓ Browser based configuration on smart phone, tablet, or PC
- ✓ No Additional Software Required
- ✓ Unlimited phone/address book
- ✓ Shift schedule integration
- ✓ 8 on board Discrete Inputs, 1 Discrete Output
- ✓ 2 Analog Inputs & 1 Serial Port currently in development (exp. Q4 2018)

*optional



WATER &
WASTEWATER



OIL & GAS



UTILITIES



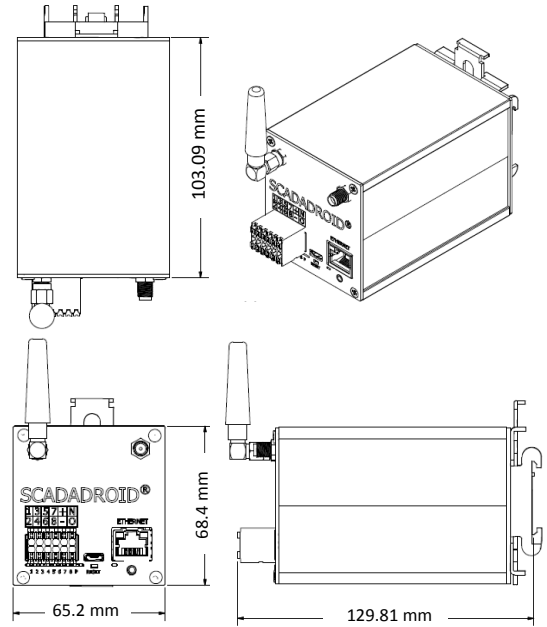
SOLAR





Enclosure: SCADADroid® is designed to be mounted in an enclosure. For Hazardous areas, the SCADADroid® is required to be mounted in a Type 1, Type 4, or Type 4X enclosure depending on end application environment

DC INPUT RANGE	12-30 Volt DC
CERTIFICATION	ETL CLASS 1, DIVISION 2 HAZARDOUS AREA CERTIFICATION
I/O INTERFACE	1x RJ45 - 10/100M Ethernet 8x Digital Inputs - Dry contact or 30 VDC Max (push-pull) 1x Relay Output - 1 N/O SPST 10x LED Indicators—8 DI Status, 1 Power Status, 1 System Status
SOFTWARE	Reonix Web Interface —Easy to use, Secure Utilized for initial SCADADroid® setup, programming of Alarms, Phonebook, Shift Schedules, VPN and much more.
PHYSICAL	Housing— Anodized Aluminum Dimensions: 4.06"/10.3cm (D) x 2.57"/6.5cm (W) x 2.69"/6.8cm (H) Weight— 12.9oz / 366g Input Connector: 8 Position Terminal Block Plug, Female Sockets 0.138" (3.50mm)
MOUNTING	Standard 35 mm DIN Rail mounting 3 Options: REAR MOUNTED—HORIZONTAL RADIAL SIDE MOUNTED—HORIZONTAL COAXIAL SIDE MOUNTED—VERTICAL RADIAL
TEMPERATURE	- 40°F/-40°C TO 185°F/85°C
ANTENNA	1x Standard 50 mm GSM Antenna (Included) Connector: SMA Female



Ordering Requirements

The following code is designed to help in selection of the correct unit. Build up the reference number by inserting the code for each component into the appropriate box

